

Island Bar Manual (BBI-6, BBI-8)

Parts List:



Island Bar Front Panel. Qty. 3,
(Panel 5) Wider Panel with 3
legs
(Panel 1, 6) Narrow Panel with
2 legs



Island Bar Side Panels qty 3
(Panel 2,3,4)



Island Bar Door Panel. Qty. 1
(Panel 9)



Inside Panel 7, 8 qty 2



Inside Panel 10, qty 1



Bamboo Shelves, qty.4
(1) 86" Long (Shelf B)
(2) 51" Long (Shelf C)
(3) 67.5" Long (Shelf A)
(4) 38" Long (Shelf D)

Hardware included:

4" Bolts- 10
5" Bolts- 18
5 5/8" Bolts- 8

Tools Needed:

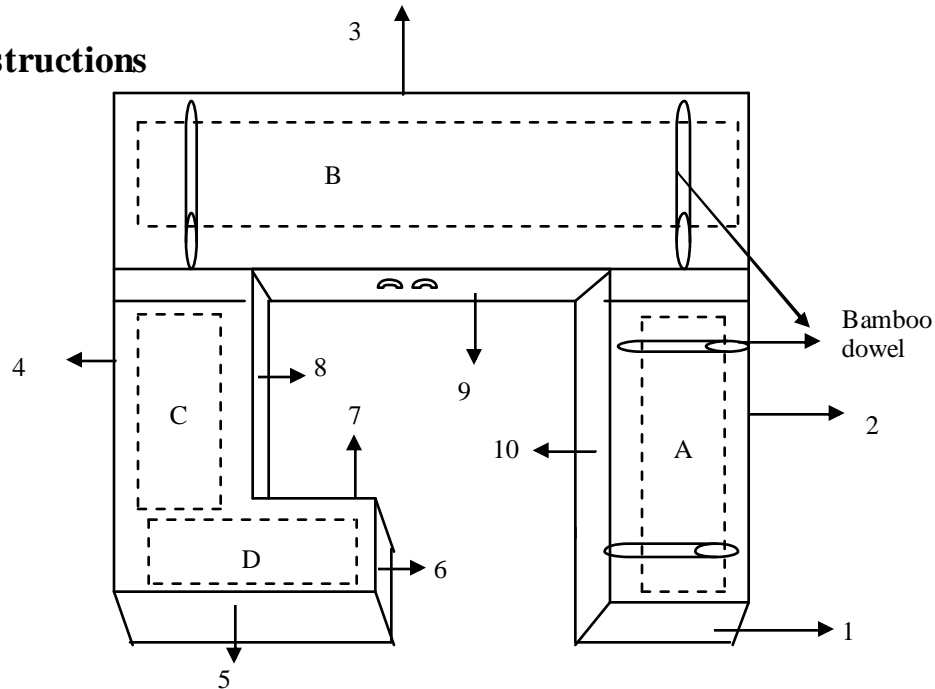
Phillips Screw Driver
Wrench

Continue to setup instructions on the next page

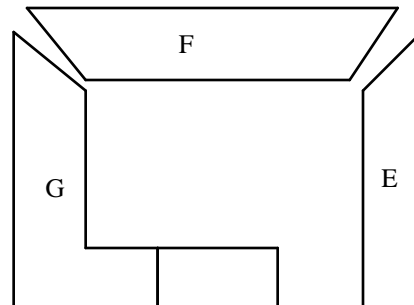
Master Garden Products

3223 C. ST. NE Suite #1
Auburn, WA 98002
www.mastergardenproducts.com

Setup Instructions



Bamboo Shelf Setup



1.) First setup the outside panels numbered 1-5 using the bolts provided (The sizes do vary because of inconsistencies in the bamboo, longer bolts may be required. Use as required.

2.) Insert the Bamboo Dowels where indicated for shelves A and B, there will be two levels of shelves that would need to be installed in each side. After setting up the dowels, the bamboo shelves should slide right in.

Shelves C and D can be setup without dowel installation.

3.) Setup panel 9 with the doors, this panel can slide right in and is essential for setting up the rest of the Island Bar.

4.) Afterwards, panels 6-10 that compromise the inside of the Island Bar can be installed. The base frame should then be complete.

5.) Using counter pieces E, F, and G, install the bamboo countertop which will complete your Bamboo Island Bar.