

Tiki Hut Bar (THB-8, THB-8B)

Parts List:



Island Bar Front Panel. Qty. 3,
(Panel 5) Wider Panel with 3
legs
(Panel 1, 6) Narrow Panel with
2 legs



Island Bar Side Panels qty 3
(Panel 2,3,4)



Island Bar Door Panel. Qty. 1
(Panel 9)



Inside Panel 7, 8 qty 2



Inside Panel 10, qty 1



Bamboo Shelves, qty.4
(1) 86" Long (Shelf B)
(2) 51" Long (Shelf C)
(3) 67.5" Long (Shelf A)
(4) 38" Long (Shelf D)

Hardware included:

4" Bolts- 10
5" Bolts- 18
5 5/8" Bolts- 8

Tools Needed:

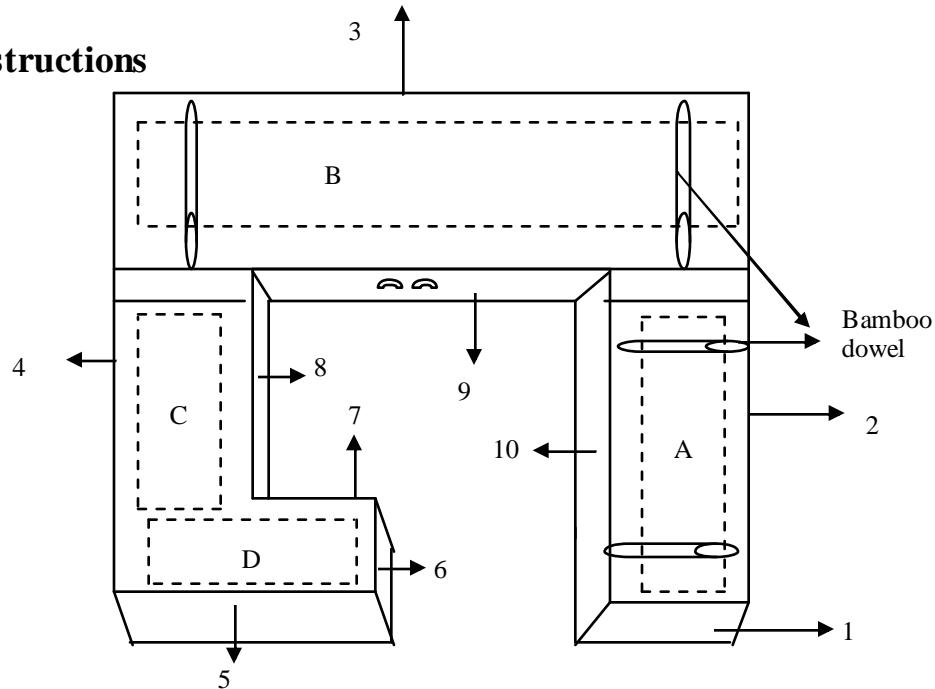
Phillips Screw Driver
Wrench

Continue to setup instructions on the next page

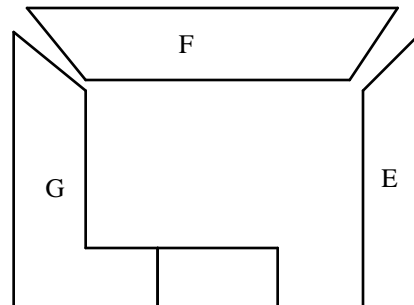
Master Garden Products

3223 C. ST. NE Suite #1
Auburn, WA 98002
www.mastergardenproducts.com

Setup Instructions



Bamboo Shelf Setup



1.) First setup the outside panels numbered 1-5 using the bolts provided (The sizes do vary because of inconsistencies in the bamboo, longer bolts may be required. Use as required.

2.) Insert the Bamboo Dowels where indicated for shelves A and B, there will be two levels of shelves that would need to be installed in each side. After setting up the dowels, the bamboo shelves should slide right in. Shelves C and D can be setup without dowel installation.

3.) Setup panel 9 with the doors, this panel can slide right in and is essential for setting up the rest of the Island Bar.

4.) Afterwards, panels 6-10 that compromise the inside of the Island Bar can be installed. The base frame should then be complete.

5.) Using counter pieces E, F, and G, install the bamboo countertop which will complete your Bamboo Island Bar.

Setup Instructions for Tiki Hut Bar Rooftop

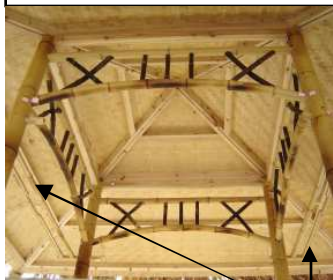
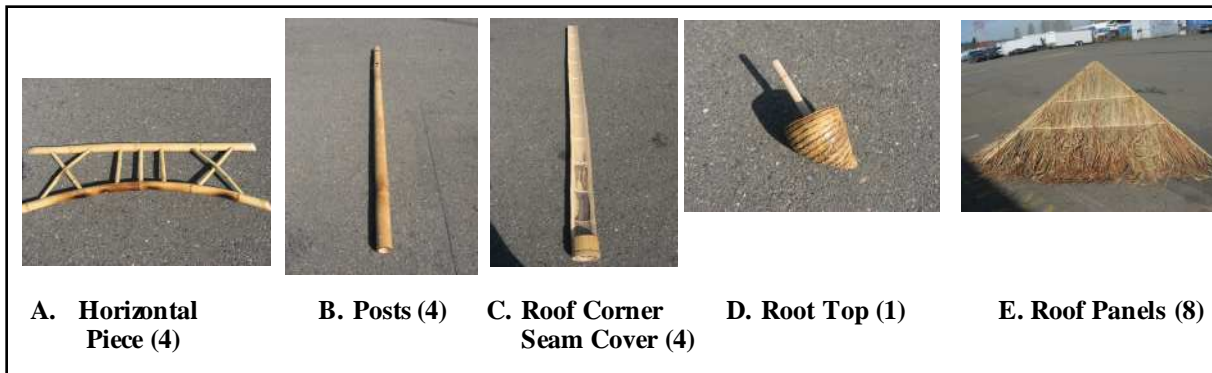


Fig. 1 Wine Rack



pre-assembled roof



Fig. 3



Fig. 4



Fig. 5

1. First setup the roof support column as shown in Fig.1. Insert one end of the Horizontal parts A and the wine glass rack to the pre drilled holes on the top of the vertical posts, part B. Make use you match the numbers as labeled on the individual parts. This will form the roof supports for the roof.
2. There are eight roof panels part E in the shipping packages. Two panels will make up one side of the roof as shown in fig 2. Please assemble to complete each side of the roof with two matching roof panels (match by number marked on the panels) using bolts and nuts through the pre drilled holes on the wooden undercarriage of the roof panels. Continue with the same procedure to complete all 4 sides of the roof.
3. Lift one roof panel part E, make sure the wood frame fits into the cutout on the top of the bamboo posts, while holding onto the first panel in position, lift the second panel up to butt join them along the bevel side of the roof panels, make sure both roof panels fit side to side into the cutout on the top of the bamboo post. Secure the panels together with the bolt and nuts provided as shown in Fig. 3. Continue with the third and the final fourth panels using the same procedure as before.
4. Using the bamboo caps part C to cover the seams between the joints of the roof panels as shown in Fig.4. Long bolts and nuts are provided to clamp the cover to the roof. Do not over tighten to prevent the bamboo from cracking.